

INDEX

EN

INTRODUCTION	EN - 2
GETTING STARTED	EN - 3
USAGE	EN - 5
NAVIGATION.....	EN - 7
FIRMWARE UPGRADE.....	EN - 15
TROUBLESHOOTING.....	EN - 16
SPECIFICATION	EN - 17

PL

WPROWADZENIE.....	PL - 2
PRZYGOTOWANIE DO PRACY.....	PL - 3
OBŚŁUGA	PL - 5
NAWIGACJA	PL - 7
AKTUALIZACJA FIRMWARE	PL - 16
ROZWIĄZYWANIE PROBLEMÓW.....	PL - 17
SPECYFIKACJA.....	PL - 18



EN

NOTE! Any information and technical data are subject to change without prior notification and/or indication in this manual.

Copyright © 2008 PENTAGRAM

All rights reserved; copying and reproduction is strictly forbidden.

PL

UWAGA! Wszystkie informacje i dane techniczne mogą ulec zmianie bez wcześniejszego powiadomienia i/lub zaznaczenia tego w niniejszej instrukcji.

Copyright © 2008 PENTAGRAM

Wszelkie prawa zastrzeżone, powielanie i kopiowanie zabronione.



Instruction Manual

EON
CINEO



The latest versions of the manual, software and applications are available at www.pentagram.eu

Introduction

Thank you for purchasing PENTAGRAM Eon Cineo. This player is an advanced type of a portable digital multimedia player. It perfectly combines high quality digital audio (MP3, WMA, APE, FLAC, AAC, WAV) and video playback (AVI, RM, RMVB, FLV), voice recording, FM tuner, FM recording, photo album (JPG, BMP, GIF), eBook browsing and PlayFX™ sound enhancement. Player also supports multitasking (you can read eBook while listening to music) and has built-in microSD (aka TF or TransFlash) card reader.

System Requirements

- IBM PC, notebook or Mac with available USB port;
- Operating system: Windows 2000 / XP / Vista, Linux 2.4.4 or newer.

Box Content

- PENTAGRAM Eon Cineo (P 5116)
- In-Ear Earphones
- 3 pairs of soft, silicon earbuds (S, M, L)
- USB cable
- Instruction Manual
- Power adapter
- Car USB charger
- Velvet carrying pouch
- Soft wipe cloth

Getting started

Safety precautions

- Please avoid placing the player directly in the sunshine or dusty, humid places or in extremely low or high temperatures (i.e. car with closed windows in summer);
- Please avoid dropping or impact upon player;
- Don't let liquid or objects into player;
- Don't use chemicals, such as gasoline or other diluents, upon player's surface;
- Clean player only with soft cloth;
- Before cleaning, disconnect player from computer or other power source;
- When start using the unit, please fully charge and discharge the battery for about 2 - 3 times to ensure maximum battery life and power capacity;
- Please do not disassemble any part of the unit, any unauthorized disassembling will cause termination of PENTAGRAM official warranty;
- Please don't use wet hands to plug/unplug or contact player to prevent electric shock or damage;
- Please don't unplug player while data is being transferred to/from the computer, otherwise the data may be lost;
- Please don't judder, otherwise player may be damaged;
- Files or data stored in player cannot completely avoid being destroyed or lost due to improper use or other reasons. Please backup files and data when necessary;

Battery charging

When you start using the unit, please fully charge and discharge the battery about 2 - 3 times to ensure maximum battery life and power capacity.

In the top right corner of the display (in most modes), a battery charge indicator is visible. If the indicator is filled – the battery is fully charged, if it's empty – battery is almost discharged and must be charged as soon as possible. During the charging process the indicator changes its color or full screen animation is displayed (to exit this animation press **ESC** button).

To charge the battery:

- connect the player to computer's USB port, or
- connect the player to a power outlet via attached power adapter, or
- connect the player to a car lighter socket via car USB charger

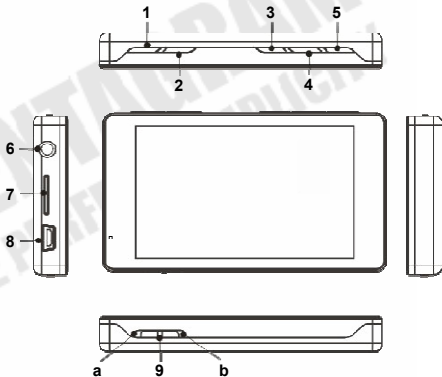
Connecting to computer

The player has a USB 2.0 High Speed interface, and is recognized by operating system as a standard USB mass storage device (second device recognized by system corresponds to microSD card reader). Player supports following operating systems: Windows 2000 / XP Vista, Linux 2.4.4 or newer. After connecting to the PC (several seconds later), the player will display icon of USB connection (file management available) or battery charge.

Usage

Player's appearance

1. **ESC** button
2. **VOL** button
3. **◀** button
4. **M** button
5. **▶** button
6. Earphone socket
7. microSD card slot
8. USB port
9. **ON/OFF** switch
 - a. **HOLD** position
 - b. **PLAY** position



Buttons

General

ON/OFF switch – power on/off, button lock and play/pause. This switch has three positions:

- **HOLD** – button lock enabled.
- **ON/OFF** – button lock disabled.
- **PLAY** – hold ON/OFF switch in this position for 2-3 seconds to power on/off the player. In this manual pressing **PLAY** button refers to moving the ON/OFF switch to **PLAY** position and releasing it.

ESC – previous menu, return to main menu.

Main Menu:

◀ and ▶ – select main menu option.

M or **PLAY** – confirm selection.

Submenu / file list

◀ and ▶ – select submenu/list option.

M or **PLAY** – confirm selection.

ESC – return to previous menu / parent folder.

Turning the player on

To turn on/off the player, move the ON/OFF switch to **PLAY** position and hold it in this position for 2-3 seconds.

Buttons lock

To lock player's buttons, please move the ON/OFF switch to **HOLD** position. When the key lock is active, a padlock icon appears in the upper left corner of the display.

To unlock player's buttons, move the ON/OFF switch back to **ON/OFF** position.

Emergency power off

Under specific conditions the player's buttons may stop responding. In such cases, please move the ON/OFF switch to **PLAY** position and hold it in this position for about 8 seconds. Player will be turned off.

Navigation

Main Menu

Use ◀ and ▶ buttons to navigate through the main menu and press **M** or **PLAY** to confirm selection.

Music Menu

After selecting **Music** in main menu you will see **Media Library** screen in which you can choose playback criteria:

Now Playing – opens main Music screen without changing current play list.

All Music – plays all audio files starting with the selected file. Files on this play list are sorted by filename.

Artist – plays all audio files of a selected Artist starting with the selected file. Files on this play list are sorted by filename.

Album – plays all audio files of selected Album beginning with the selected file. Files on this play list are sorted by filename.

Title – plays all audio files starting with selected file. Files on this play list are sorted by song title.

My Favorite – My Favorite is custom play list. To add file or folder to this list, select it on one of the other lists, hold **VOL** button for 2-3 seconds and select **Add to Favorite** option. Files added to Favorites are put on the end of this list – this allows you to create custom order in which files will be played. If you want to delete a single file from My Favorite play list, select this file, hold **VOL** for 2-3 seconds and choose **Delete File** option. If you want to delete all files from My Favorite play list, hold **VOL** for 2-3 seconds and choose **Clear Up** option.

Recorded – play all recorded audio files starting with selected file. Files on this play list are sorted by filename.

Directory List – play all audio files in selected folder starting with selected file. Files on this play list are sorted by filename.

MediaLibrary Update – in some cases, after uploading or deleting files and also after inserting microSD card you should use this function to see all available audio files.

Buttons function in main Music screen are:

PLAY – pause / resume playback.

◀ / ▶ – previous / next audio file. Hold to rewind / fast forward current file.

VOL – enter / exit volume control mode (use ◀ / ▶, to turn up or down the volume). If enabled, volume icon in the bottom left corner will change its color.

M – Music sub menu.

M (hold) – A-B repeat:

- press and hold for 2-3 seconds **M** button, to select the start point (A), **A** icon will appear on the display.
- press and hold for 2-3 seconds **M** button, to select the end point (B). **A** icon will change to **A-B** and the player will repeat continuously the selected fragment. To disable A-B repeat press and hold for 2-3 seconds **M** button again.

ESC – return to file selection screen.

Music submenu

Repeat Mode

- **Once** – play one file one time.
- **Repeat** – play one file repeating it indefinitely.
- **All** – play all files on the play list one time.
- **All Repeat** – play all files on the play list repeating them indefinitely.
- **Intro** – play only few first seconds of each file on the play list.

Play Mode

- **In Order** – play files in order.
- **Shuffle** – play files in random order.

MS PlayFX – select one of MS PlayFX™ functions: **3D Headphones, True Bass or Auto Volume**

EQ – select equalizer mode: **Normal, MS PlayFX, Rock, Pop, Classic, Bass, Jazz, User EQ.**

User EQ Setup – follow these steps to configure User EQ settings:

- use ◀ / ▶, to select frequency and confirm your choice by pressing **VOL**.
- use ◀ / ▶, to choose desired value and approve it by pressing **VOL**.
- use ◀ / ▶, to select **YES** and press **M** to save settings, or select **NO** and press **M** to discard changes.

Display – select what will be displayed in main part of display:

- **Lyrics** – if lyrics file (LRC) file is available, lyrics will be displayed.
- **Frequency Chart** – real time spectrum analyzer.
- **Closed** – disables display of lyrics and spectrum analyzer.

Lyrics Display

The player supports lyrics files in LRC format. Copy lyrics file to the folder with the corresponding music file and ensure that both filenames are identical (i.e. "vanquish.mp3" and "vanquish.lrc"). To enable lyrics display open Music

mode submenu, select **Display** and then **Lyrics** – lyrics will be displayed automatically when music file is being played.

Video Menu

After selecting **Video** in main menu you will see **Video** screen in which you can choose file you want to play. This mode is used for playing video files. Supported file formats are AVI (max. resolution 624x352), RM / RMVB (max. resolution 624x352) and FLV. Note that large files will take longer to load than small ones. Buttons function in video file playback screen are:

PLAY – pause / resume playback.

◀ / ▶ – previous / next video file.

VOL – enter / exit volume control mode (use ◀ / ▶, to turn up or down the volume). If enabled, volume icon in the bottom left corner will change color.

ESC – return to file selection screen.

Photo Menu

After selecting **Photo** in main menu you will see **Photo** screen in which you can choose file you want to view. This mode is a photo (JPG, BMP, GIF) browser. Buttons function in photo view screen are:

M or **PLAY** – Photo submenu.

◀ / ▶ – previous / next file. If rotate and/or zoom mode is enabled you must press **ESC** to return to normal view before you can change displayed file.

ESC – return to file selection screen.

ESC (when file is rotated or zoomed) – return to normal view.

Photo submenu

Rotate Right – rotate current file clockwise.

Rotate Left – rotate current file counter-clockwise.

Zoom In – in Zoom mode you can scroll the photo using ◀ / ▶. Press VOL to switch between scrolling left and right/up and down.

Zoom Out – in Zoom mode you can scroll the photo using ◀ / ▶. Press VOL to switch between scrolling left and right/up and down.

Slide Show – select time after which next image will be displayed or **Off** to disable slide show.

eBook Menu

After selecting **eBook** in main menu you will see **eBook** screen in which you can choose file you want to view.

This menu is eBook (TXT) browser. Buttons function in file view screen are:

M – eBook submenu.

◀ / ▶ – scroll up / down one page.

ESC – return to file selection screen.

eBook submenu

Jump To Page – select page you want to see.

Save Bookmark – save bookmark for current page in selected position.

Load Bookmark – load one of the saved bookmarks.

Del Bookmark – delete one of the saved bookmarks.

Set Font Size – select font size.

Set Font Color – select font color.

Display Time – select time after which next page will be displayed or **Off** to disable auto page flipping.

Radio Menu

This mode is FM tuner. In this mode the earphones are used as antenna and they should be connected before the station tuning. Buttons function in this mode are:

M – Radio submenu:

◀ / ▶ (Manual mode) – change the frequency by 0,1MHz, hold to scan for nearest the station.

◀ / ▶ (Preset mode) – previous / next saved station.

VOL – enter / exit volume control mode (use ◀ / ▶, to turn up or down the volume). If enabled, volume icon in the bottom left corner will change color.

ESC – return to file selection screen.

Radio submenu

Search Manually – manual tuning mode, which allows changing frequency by 0,1MHz or searching for nearest station with strong signal.

Auto search – player will scan whole band and save stations with strong signal. This will overwrite saved stations.

Preset stations – use this mode for easy changing between saved stations.

Save preset – save currently selected frequency on selected position.

Delete preset – delete saved station from selected position.

Stereo switch – select **Yes** for stereo or **No** for mono.

FM Range – select region where you will use player.

FM recording – start recording from FM tuner (see **Recorder Menu** section for details).

Recorder Menu

This mode can be used to record voice via a built-in microphone (select **Recorder** from main menu) or from FM (select **FM Recording** option from Radio submenu). Recorded files are named VRECxxx.WAV for voice record and FMRCxxx.WAV for FM record. Buttons functions in this mode are:

PLAY – start / pause / resume recording

M – Record submenu, allows change of recording quality (**Low quality** or **High quality**). This is only available when **Preparing...** message is displayed.

ESC (voice) – when **Recording...** or **Paused...** message is displayed save file, when **Preparing...** message is displayed return to main menu.

ESC (FM) – save file and return to **Radio** mode.

Other Functions Menu

Stopwatch

This function can be used as a stopwatch. Use ◀ to start/stop time and ▶ to reset counter.

Calendar

This calendar is preview only. If you want to change system date, see **Settings Menu** section for details.

M – select if you want to change year, month or day.

VOL – when day is selected, changes mode between previous/next day or same weekday in previous/next week.

◀ / ▶ – change selected value.

ESC – return to main menu.

Explorer

This mode is a file browser. Select a file to play/view it in appropriate mode (i.e. MP3 file will be played in **Music** mode). Buttons functions in this mode are:

◀ / ▶ – file / folder selection.

M or **PLAY** – confirm selection.

VOL – hold for 2-3 seconds to delete selected file.

ESC – return to main menu.

Settings Menu

Settings Menu is used to configure various player functions.

Display Settings

- **Lighting time** – change idle time, after which the display will be turned off.
- **Brightness** – select display brightness.

System Settings

- **Update** – firmware upgrade. See **Firmware upgrade** chapter for more details.
- **Default settings** – restore player's settings to factory defaults.

Desktop – select one of the background images.

Language – select player interface language.

System Information – displays information about player (**Chip ID**), firmware version (**Soft version ID**) and memory status (**Local Memory Size** and **Card Memory Size**).

Time Settings – system time and date configuration. On time screen Press **VOL** to switch between **Hour** and **Minutes** fields and use ◀ / ▶ to change selected field value. When time is set press **M** to save changes and go to date screen. On date screen Press **VOL** to switch between **Year**, **Month** and **Day** fields and use ◀ / ▶ to change selected field value. When date is set press **M** to save changes and return to **Settings** menu.

Auto turn-off Time – change idle time, after which player will be turned off.

Firmware upgrade

NOTE:

- *The firmware upgrade is meant to improve and optimize the performance of the player. The normal work of the player will not be affected even if the firmware isn't upgraded. The wrong operation of upgrading firmware would cause the device not to work normally! The firmware upgrade software of this player does not apply to other series of players.*
- *Before firmware upgrade we recommend you to backup the files stored inside the player's memory. Files may be erased during the upgrade procedure. PENTAGRAM Europe cannot be held responsible for any data loss.*
- *Make sure that you use only the genuine PENTAGRAM firmware for upgrading Eon Cineo. You can download the latest firmware from www.pentagram.eu*
- *Do not detach the player from your computer while the firmware upgrade procedure is in progress. This may cause a critical malfunction.*
- *Make sure that battery is charged before upgrade process.*

Follow this steps to upgrade player's firmware:

1. Connect the player to PC.
2. Go to the disk of the player.
3. Copy downloaded firmware file (*.RKW) to root directory of the player.
4. Disconnect the player from PC.
5. Enter **Settings > System Settings > Update** menu and answer YES to question regarding upgrade.
6. Player's firmware will be upgraded and player will be restarted after the process.

Troubleshooting

If you experience any of the following difficulties in using player, use the following guide for help. Should any problem persist, please visit www.pentagram.eu web site and eventually contact PENTAGRAM Customer Service.

Symptoms	Possible cause	Solution
Fail to power on	Low battery	Charge the battery
Power off shortly after power on		
No sound output	The volume is set to 0	Turn up the volume
	Earphones not connected properly	Connect earphone correctly
Buttons doesn't work	Player is stuck	Move the ON/OFF switch to PLAY position and hold it in this position for about 8 seconds to perform emergency shutdown.
	Button lock enabled	Disable button lock
Fail to connect with the computer	USB cable isn't connected correctly	Connect USB cable correctly
Fail to copy files	Your system doesn't meet player's requirements	Upgrade your system to meet the requirements
Can't recording	Low battery	Charge battery
	Space insufficient	Delete some files
Can't play video	Format error	Convert video file

Specification

Function	Description	
Chipset	Rockchip 2706	
Dimensions	86 × 49 × 10,5 mm (W x H x D)	
Weight	~ 54g	
Display	TFT LCD 3" 400x240 (WQVGA)	
Power supply	built-in Li-Poly 750mAh	
Working time	Music: ~10h (power saving)	Video: ~4h (power saving)
Radio FM	Frequency: China, Europe, U.S.A Japan	87MHz – 108MHz 76MHz – 90MHz
	Preset stations	30
Supported files	Music	MP3, WMA, APE, FLAC, AAC, WAV
	Video	AVI, RM, RMVB, FLV
	Text	TXT
	Photo	JPG, BMP, GIF
Sound enhancemens	MS PlayFX™, Equalizer (6 predefined modes + 1 custom)	
Max. output power	12mW in left and right	
SNR	95dB	
Frequency	20Hz ~ 20kHz	
Distortion	< 0,1%	
Working temperature	5°C~40°C	
Data transfer	PC or notebook with USB port	
Operating system	Windows 2000 / XP / Vista, Linux 2.4.4 or newer.	

* specification may be changed without prior notice





Instrukcja obsługi

EON
CINEO



Najnowsze wersje instrukcji, sterowników i oprogramowania dostępne są na stronie www.pentagram.pl

Wprowadzenie

Dziękujemy za zakup odtwarzacza PENTAGRAM Eon Cineo. Urządzenie łączy w sobie takie opcje jak odtwarzanie plików dźwiękowych (MP3, WMA, APE, FLAC, AAC, WAV), filmów (AVI, RM, RMVB, FLV), dyktafon, radio FM (z możliwością nagrywania audycji), przeglądanie zdjęć (JPG, BMP, GIF) i plików tekstowych (eBook) a także system wzbogacania dźwięku PlayFX™. Dodatkowo odtwarzacz obsługuje także wielozadaniowość (możesz czytać plik tekstowy słuchając muzyki) oraz posiada wbudowany czytnik kart microSD (znanych także jako TF lub TransFlash).

Wymagania systemowe

- Komputer klasy IBM PC lub notebook z wolnym portem USB;
- System operacyjny: Windows 2000 / XP / Vista, Linux 2.4.4 lub nowszy.

Zawartość pudełka

- PENTAGRAM Eon Cineo (P 5116)
- Słuchawki kanałowe
- 3 pary miękkich, silikonowych nakładek (S, M, L)
- Kabel USB
- Instrukcja obsługi
- Zasilacz sieciowy
- Samochodowa ładowarka USB
- Aksamitne etui ochronne
- Ściereczka do wycierania ekranu

Przygotowanie do pracy

Środki ostrożności

- Unikaj wystawiania odtwarzacza na bezpośrednie promienie słoneczne oraz przechowywania urządzenia w silnie zapyłonych miejscach lub w miejscach o bardzo niskiej lub wysokiej temperaturze (np. wewnątrz samochodu z zamkniętymi szybami w okresie letnim);
- Nie narażaj odtwarzacza na upadki i wstrząsy;
- Nie pozwól aby wilgoć lub ciała obce dostały się do wnętrza odtwarzacza.
- Do czyszczenia odtwarzacza nie używaj środków chemicznych takich jak benzyna lub detergenty;
- Czyść urządzenie miękką, suchą ściereczką;
- Przed czyszczeniem odłącz odtwarzacz od komputera lub źródła zasilania.
- Przed rozpoczęciem używania odtwarzacza 2-3 krotnie naładuj, a następnie rozładuj do końca baterię, aby osiągnęła pełną sprawność i maksymalną żywotność.
- Nie dokonuj na własną rękę żadnych zmian i napraw, ponieważ możesz stracić prawo do gwarancji.
- Nie używaj odtwarzacza, gdy masz mokre ręce, aby uniknąć zniszczenia urządzenia lub porażenia prądem.
- Nie odłączaj urządzenia od komputera podczas przesyłania danych, gdyż mogą zostać bezpowrotnie utracone.
- Pliki i dane przechowywane w pamięci odtwarzacza są jak każde inne pliki podatne na uszkodzenia, dlatego jeśli to konieczne, zrób ich kopie zapasowe.

Ładowanie akumulatora

Przed rozpoczęciem używania odtwarzacza zalecane jest kilkukrotne pełne naładowanie i rozładowanie baterii, aby osiągnęła pełną sprawność i maksymalną żywotność.

W prawym górnym rogu wyświetlacza (w większości trybów) widoczna jest ikona reprezentująca stan naładowania baterii. Gdy pasek w ikonie jest pełny – bateria jest w pełni naładowana, gdy pasek jest pusty – bateria jest na wyczerpaniu i należy ją jak najszybciej naładować. W czasie ładowania ikona zmienia kolor lub wyświetlana jest pełnoekranowa animacja (naciśnij przycisk **ESC**, aby ją wyłączyć).

Aby naładować baterię należy:

- podłączyć odtwarzacz do portu USB komputera, lub
- podłączyć odtwarzacz do gniazdka sieciowego za pośrednictwem dołączonej ładowarki, lub
- podłączyć odtwarzacz do gniazda zapalniczki samochodowej za pośrednictwem samochodowej ładowarki USB.

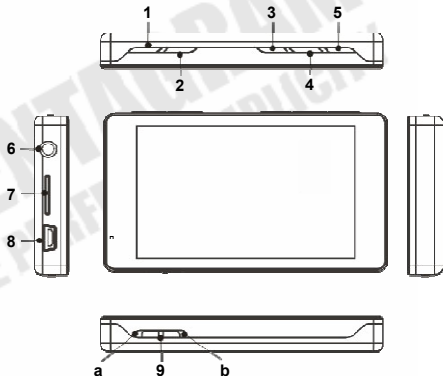
Podłączenie do komputera

Odtwarzacz posiada interfejs USB 2.0 High Speed i jest rozpoznawany przez system operacyjny jako standardowe masowe urządzenie magazynujące USB (drugie urządzenie rozpoznane przez system odpowiada czytnikowi kart microSD). Odtwarzacz współpracuje z następującymi systemami operacyjnymi: Windows 2000 / XP / Vista oraz Linux 2.4.4 i nowsze. Po podłączeniu odtwarzacza do komputera na wyświetlaczu zostanie wyświetlona ikona symbolizująca połączenie z komputerem (możliwe przesłanie plików) lub ładowanie baterii.

Obsługa

Wygląd urządzenia

1. przycisk **ESC**
2. przycisk **VOL**
3. przycisk **◀**
4. przycisk **M**
5. przycisk **▶**
6. gniazdo słuchawkowe
7. gniazdo na kartę microSD
8. port USB
9. przełącznik **ON/OFF**
 - c. pozycja **HOLD**
 - d. pozycja **PLAY**



Przyciski

Ogólne

Przełącznik ON/OFF – włączanie/wyłączanie odtwarzacza, blokowanie przycisków, odtwarzanie / pauzowanie. Przełącznik posiada trzy pozycje:

- **HOLD** – blokada przycisków włączona.
- **ON/OFF** – blokada przycisków wyłączona.
- **PLAY** – przytrzymaj przełącznik ON/OFF w tej pozycji przez 2-3 sekundy, aby włączyć lub wyłączyć odtwarzacz. W niniejszej instrukcji naciśnięcie przycisku **PLAY** oznacza przesunięcie przełącznika ON/OFF w pozycję **PLAY** i jego natychmiastowe zwolnienie.

ESC – poprzednie menu, powrót do głównego menu.

Główne menu:

◀ i ▶ – wybór elementu głównego menu.

M lub **PLAY** – zatwierdzenie wyboru.

Podmenu / listy plików

◀ i ▶ – wybór elementu podmenu / listy plików.

M lub **PLAY** – zatwierdzenie wyboru.

ESC – powrót do poprzedniego menu / do katalogu nadrzędnego.

Włączenie odtwarzacza

Aby włączyć lub wyłączyć odtwarzacz należy przesunąć przełącznik ON/OFF w pozycję **PLAY** i przytrzymać przez ok. 2-3 sekundy.

Blokowanie przycisków odtwarzacza

Aby zablokować przyciski odtwarzacza należy przesunąć przełącznik ON/OFF w pozycję **HOLD**. Jeśli blokada przycisków jest włączona w lewym górnym rogu wyświetlacza pojawi się ikona blokady przycisków (klódka).

Aby odblokować przyciski odtwarzacza należy przesunąć przełącznik ON/OFF w pozycję **ON/OFF**.

Awaryjne wyłączenie

W specyficznych warunkach przyciski odtwarzacza mogą przestać reagować. W takim przypadku należy przesunąć przełącznik ON/OFF w pozycję **PLAY** i przytrzymać go w tej pozycji przez ok. 8 sekund. Odtwarzacz zostanie wyłączony.

Nawigacja

Domyślnym językiem wyświetlania odtwarzacza jest język angielski. Aby włączyć wyświetlanie menu w języku polskim należy wykonać poniższe kroki:

1. W głównym menu wybierz **Settings** i naciśnij **M** lub **PLAY**,
2. W podmenu **Settings** wybierz **Language** i naciśnij **M** lub **PLAY**,
3. W podmenu **Language** wybierz **Polish** i naciśnij **M**.

Menu główne

Używając przycisków ◀ i ▶ wybierz interesującą Cię element menu i naciśnij **M** lub **PLAY**, aby potwierdzić wybór.

Menu Music (Muzyka)

Po wybraniu **Music (Muzyka)** w głównym menu zostanie wyświetlony ekran **Media Library (Biblioteka Mediów)**, który umożliwi wybranie kryteriów odtwarzania:

Now Playing (Teraz odtwarzane) – otwiera główny ekran trybu Music (Muzyka) bez zmiany bieżącej listy odtwarzania.

All Music (Cała muzyka) – odtwarza wszystkie pliki, zaczynając od wybranego. Pliki na tej liście odtwarzania uporządkowane są według ich nazw.

Artist (Artysta) – odtwarza wszystkie pliki wybranego artysty, zaczynając od wybranego. Pliki na tej liście odtwarzania uporządkowane są według ich nazw.

Album – odtwarza wszystkie pliki z wybranego albumu, zaczynając od wybranego. Pliki na tej liście odtwarzania uporządkowane są według ich nazw.

Title (Tytuł) – odtwarza wszystkie pliki zaczynając od wybranego. Pliki na tej liście odtwarzania uporządkowane są według tytułu utworu.

My Favorite (Ulubione) – My Favorite (Ulubione) to lista odtwarzania użytkownika. Aby dodać plik lub folder do tej listy, wybierz go na jednej z innych list, przytrzymaj wciśnięty przycisk **VOL** przez 2-3 sekundy i wybierz opcję **Add to Favorites (Dodaj do ulubionych)**. Pliki dodawane są na koniec listy i są odtwarzane według kolejności dodania. Jeśli chcesz usunąć pojedynczy plik z listy My Favorite (Ulubione), wybierz ten plik, przytrzymaj wciśnięty przycisk **VOL** przez 2-3 sekundy i wybierz opcję **Delete File (Usuń plik)**. Jeśli chcesz usunąć wszystkie pliki z listy My Favorite (Ulubione), przytrzymaj wciśnięty przycisk **VOL** przez 2-3 sekundy i wybierz opcję **Clear Favorite (Wyczyść Ulubione)**.

Recorded (Nagrane) – odtwarza wszystkie nagrane pliki, zaczynając od wybranego. Pliki na tej liście odtwarzania uporządkowane są według ich nazw.

Directory List (Katalogi) – odtwarza wszystkie pliki w wybranym folderze, zaczynając od wybranego. Pliki na tej liście odtwarzania uporządkowane są według ich nazw.

MediaLibrary Update (Aktualizuj Bibliotekę Mediów) – w niektórych przypadkach, np. po wgraniu lub usunięciu plików z odtwarzacza a także po włożeniu karty microSD, konieczne może być użycie tej opcji, żeby zaktualizować listę dostępnych plików audio.

Na głównym ekranie menu Music (Muzyka) przyciski pełnią następujące funkcje:

PLAY – pauza / wznowienie odtwarzania.

◀ / ▶ – poprzedni / następny plik audio. Przytrzymaj, aby przewinąć aktualny plik.

VOL – włączenie / wyłączenie trybu regulacji głośności (użyj ◀ / ▶, aby zmniejszyć / zwiększyć głośność). Gdy tryb ten jest włączony, ikona głośności w lewym dolnym, rogu zmienia kolor.

M – podmenu Music (Muzyka).

M (przytrzymanie) – powtarzanie A-B (fragmentu utworu):

- przytrzymaj wciśnięty przez 2-3 sekundy przycisk **M**, aby ustalić punkt startowy (A) powtarzanego fragmentu. Na wyświetlaczu pojawi się ikona **A**
- przytrzymaj wciśnięty przez 2-3 sekundy przycisk **M**, aby ustalić punkt końcowy (B) powtarzanego fragmentu. Na wyświetlaczu pojawi się ikona **A-B** a odtwarzacz będzie powtarzał wybrany fragment utworu. Aby wyłączyć powtarzanie fragmentu należy ponownie nacisnąć i przytrzymać przez 2-3 sekundy przycisk **M** – ikona powtarzania A-B zniknie z wyświetlacza.

ESC – powrót do ekranu wyboru plików.

Podmenu Music (Muzyka)

Repeat Mode (Tryb powtarzania)

- **Once (Odtwórz jeden)** – odtwarza jeden raz wybrany plik.
- **Repeat (Powtórz jeden)** – powtarza w nieskończoność wybrany plik.
- **All (Odtwórz wszystko)** – odtwarza jeden raz wszystkie pliki z listy odtwarzania.
- **All Repeat (Powtórz wszystko)** – powtarza w nieskończoność wszystkie pliki z listy odtwarzania.
- **Intro (Tryb Intro)** – odtwarza początki wszystkich plików z listy odtwarzania.

Play Mode (Tryb odtwarzania)

- **In Order (Kolejno)** – odtwarza pliki w normalnej kolejności.

- **Shuffle (Losowo)** – odtwarza pliki w losowej kolejności.

MS PlayFX – wybierz jedno z ustawień MS PlayFX™: **3D Headphones, True Bass** lub **AutoVolume**

EQ – wybierz korektor graficzny: **Normal, MS PlayFX, Rock, Pop, Classic, Bass, Jazz, User EQ.**

User EQ Setup (Ustawienia EQ) – wykonaj poniższe kroki, aby skonfigurować ustawienia dla korektora User EQ:

- użyj przycisków ◀ / ▶, aby wybrać częstotliwość i zatwierdź wybór naciskając przycisk **VOL**.
- użyj przycisków ◀ / ▶, aby wybrać pożądaną wartość i potwierdź zmianę naciskając przycisk **VOL**.
- użyj przycisków ◀ / ▶, aby wybrać **YES (Tak)** i naciśnij przycisk **M**, aby zapisać zmiany, lub wybierz **NO (Nie)** i naciśnij przycisk **M**, aby odrzucić zmiany.

Display (Wyświetlacz) – wybierz co będzie wyświetlane w głównej części ekranu Music (Muzyka):

- **Lyrics (Tekst)** – jeśli plik z tekstem utworu (LRC) jest dostępny, wyświetlany będzie tekst utworu.
- **Frequency Chart (Wizualizacja)** – analizator widma.
- **Closed (Brak)** – wyłącza wyświetlanie tekstu utworu i analizatora widma.

Wyświetlanie tekstów utworów

Odtwarzacz obsługuje także wyświetlanie plików z tekstami utworów w formacie LRC. Należy umieścić plik LRC w katalogu z utworem i upewnić się, że oba pliki posiadają tą samą nazwę (np.: „vanquish.mp3” i „vanquish.lrc”). Aby włączyć wyświetlanie tekstu utworu należy otworzyć podmenu trybu Music (Muzyka), wybrać **Display (Wyświetlacz)** a następnie **Lyrics (Tekst)** – tekst zostanie wyświetlony na wyświetlaczu synchronicznie z odtwarzanym plikiem.

Menu Video

Po wybraniu **Video** w głównym menu wyświetlony zostanie ekran otwierania pliku wideo.

Ten tryb służy do odtwarzania plików wideo. Obsługiwane są pliki AVI w rozdzielczości do 624x352, pliki RM / RMVB w rozdzielczości do 624x352 oraz pliki FLV. Większe pliki będą się ładowały dłużej niż małe. W czasie odtwarzania pliku wideo przyciski pełnią następujące funkcje:

PLAY – pauza / wznowienie odtwarzania.

◀ / ▶ – poprzedni / następny plik wideo.

VOL – włączenie / wyłączenie trybu regulacji głośności (użyj ◀ / ▶, aby zmniejszyć / zwiększyć głośność). Gdy tryb ten jest włączony, ikona głośności w lewym dolnym, rogu zmieni kolor.

ESC – powrót do ekranu wyboru plików.

Menu Photo (Zdjęcia)

Po wybraniu **Photo** (Zdjęcia) w głównym menu wyświetlony zostanie ekran otwierania pliku graficznego. Ten tryb umożliwia przeglądanie plików graficznych (BMP, JPG, GIF). Po otwarciu pliku graficznego przyciski pełnią następujące funkcje:

M – podmenu Photo (Zdjęcia).

◀ / ▶ – poprzedni / następny plik graficzny. Jeśli włączona została opcja **Rotate (Obrót)** i/lub **Zoom (Przybliż/Oddal)**, należy nacisnąć przycisk ESC zanim będzie można zmienić wyświetlany plik.

ESC – powrót do ekranu wyboru plików.

ESC (włączona opcja **Rotate (Obrót)** i/lub **Zoom (Przybliż/Oddal)**) – powrót do normalnego widoku.

Podmenu Photo (Zdjęcia)

Rotate Right (Obrót w prawo) – obrócenie pliku zgodnie z ruchem wskazówek zegara.

Rotate Left (Obrót w lewo) – obrócenie pliku przeciwnie do ruchu wskazówek zegara.

Zoom In (Przybliż) – w trybie Zoom (Przybliż/Oddal) możliwe jest przesuwanie zdjęcia na ekranie używając klawiszy ◀ / ▶. Naciśnij klawisz VOL aby przełączyć tryb lewo/prawo i góra/dół. Aby wyjść z trybu Zoom (Przybliż/Oddal) naciśnij ESC.

Zoom Out (Oddal) – w trybie Zoom (Przybliż/Oddal) możliwe jest przesuwanie zdjęcia na ekranie używając klawiszy ◀ / ▶. Naciśnij klawisz VOL aby przełączyć tryb lewo/prawo i góra/dół. Aby wyjść z trybu Zoom (Przybliż/Oddal) naciśnij ESC.

Slide Show (Pokaz slajdów) – wybierz czas, po którym automatycznie zostanie wyświetlony następny plik lub wybierz **Off (Wyłączone)**, aby wyłączyć pokaz slajdów.

Menu eBook

Po wybraniu **eBook** w głównym menu wyświetlony zostanie ekran otwierania pliku tekstowego. Ten tryb umożliwia czytanie plików tekstowych (TXT). Po otwarciu pliku przyciski pełnią następujące funkcje:
M – podmenu eBook.

◀ / ▶ – przewinięcie pliku o 1 stronę w górę / dół.
ESC – powrót do ekranu wyboru plików.

Podmenu eBook

Jump To Page (Przejdź do strony) – wybierz stronę, do której chcesz przejść.

Save Bookmark (Zachowaj zakładkę) – zapisz zakładkę dla bieżącej strony na wybranej pozycji.

Load Bookmark (Ładuj zakładkę) – przejście do zapisanej zakładki.

Del Bookmark (Usuń zakładkę) – usunięcie wybranej z listy zakładki.

Set Font Size (Wielkość czcionki) – wybór rozmiaru czcionki.

Set Font Color (Kolor czcionki) – wybór koloru czcionki.

Display Time (Czas wyświetlenia) – wybierz czas, po którym wyświetlona zostanie kolejna strona lub wybierz **Off**, aby wyłączyć automatyczne przewijanie stron.

Menu Radio

Ten tryb służy do odbierania radia FM. W trybie tym słuchawki pełnią rolę anteny odbiorczej, należy więc podłączyć je przed wyszukiwaniem stacji radiowych. W tym trybie przyciski pełnią następujące funkcje:

M – podmenu trybu Radio.

◀ / ▶ (tryb Manual) – zmiana częstotliwości co 0,1MHz, przytrzymanie powoduje wyszukanie najbliższej stacji z mocnym sygnałem.

◀ / ▶ (tryb Preset) – poprzednia / następna zapamiętana stacja.

VOL – włączenie / wyłączenie trybu regulacji głośności (użyj ◀ / ▶, aby zmniejszyć / zwiększyć głośność). Gdy tryb ten jest włączony, ikona głośności w lewym dolnym, rogu zmieni kolor.

ESC – powrót do ekranu wyboru plików.

Podmenu Radio

Search Manually (Szukaj ręcznie) – tryb ręcznego strojenia, umożliwiający zmianę częstotliwości co 0,1MHz lub wyszukanie najbliższej stacji z mocnym sygnałem.

Auto search (Szukaj automatycznie) – odtwarzacz automatycznie przeszuka pasmo i zapisze wszystkie stacje z mocnym sygnałem. Użycie tej funkcji spowoduje nadpisanie zapamiętanych stacji.

Preset stations (Zapamiętane stacje) – tryb ułatwiający zmianę między zapamiętanymi stacjami.

Save preset (Zapisz stację) – zapisz bieżącą częstotliwość na wybranej pozycji.

Delete preset (Usuń stację) – usuń zapamiętaną stację z wybranej pozycji.

Stereo switch (Włącznik stereo) – wybierz **Yes (Tak)**, aby włączyć dźwięk stereo lub **No (Nie)**, aby włączyć dźwięk mono.

FM Range (Zasięg FM) – wybierz region, w którym odtwarzacz będzie używany.

FM Recording (Nagrywanie z radia) – rozpoczyna nagrywanie z radia FM (więcej szczegółów w sekcji **Menu Recorder (Dyktafon)**).

Menu Recorder (Dyktafon)

Ten tryb umożliwia nagrywanie dźwięku z wbudowanego mikrofonu (wybranie **Recorder (Dyktafon)** w głównym menu) lub radia FM (wybranie opcji **FM Recording (Nagrywanie z radia)** w podmenu Radio). Pliki są nazywane VRECxxx.WAV dla nagrywania z mikrofonu oraz FMRCxxx.WAV dla nagrywania z radia FM. W tym trybie przyciski pełnią następujące funkcje:

PLAY – rozpoczęcie / pauza / wznowienie nagrywania.

M – podmenu Record, umożliwiający zmianę jakości nagrywania: niska (**Low quality – Niska jakość**) lub wysoka (**High quality – Wysoka jakość**). Podmenu jest dostępne tylko gdy wyświetlany jest komunikat **Preparing... (Przygotowywanie...)**.

ESC (mikrofon) – jeśli wyświetlony jest komunikat **Recording...** (**Nagrywanie...**) lub **Paused...** (**Pauza...**) – zapis pliku, jeśli wyświetlony jest komunikat **Preparing...** (**Przygotowywanie...**) – powrót do głównego menu.

ESC (radio) – zapis pliku i powrót do trybu **Radio**.

Menu Other Functions (Inne funkcje)

Stopwatch (Stoper)

Ta funkcja służy jako stoper. Naciśnij przycisk ◀, aby włączyć / zatrzymać czas i ▶, aby wyzerować licznik.

Calendar (Kalendarz)

Ten kalendarz służy tylko do celów przeglądowych. Zmiana daty systemowej odtwarzacza jest możliwa z poziomu menu **Settings (Ustawienia)** (więcej szczegółów w sekcji **Menu Settings (Ustawienia)**).

M – wybierz czy zmieniany będzie rok, miesiąc czy dzień.

VOL – po wybraniu dnia, zmienia sposób zmiany dnia pomiędzy poprzedni/następny dzień a ten sam dzień tygodnia w poprzednim/następnym tygodniu.

◀ / ▶ – zmiana wybranej wartości.

ESC – powrót do głównego menu.

Menu Explorer (Eksplorator)

Ten tryb umożliwia przeglądanie wszystkich plików. Zaznaczenie i zatwierdzenie wyboru przyciskiem **M** na pliku powoduje uruchomienie go w skojarzonym trybie (np. plik MP3 zostanie odtworzony w trybie **Music (Muzyka)**). W tym trybie przyciski pełnią następujące funkcje:

◀ / ▶ – wybór pliku / katalogu.

M lub **PLAY** – zatwierdzenie wyboru.

VOL – przytrzymanie przez 2-3 sekundy, aby usunąć zaznaczony plik.

ESC – powrót do głównego menu.

Menu Settings (Ustawienia)

Menu Settings (Ustawienia) umożliwia konfigurację odtwarzacza.

Display Settings (Ustawienia wyświetlacza) – ustawienia dotyczące wyświetlacza:

- **Lighting time (Czas podświetlenia)** – zmiana czasu bezczynności, po którym wyświetlacz zostanie wyłączony.
- **Brightness (Jasność)** – wybór jasności wyświetlacza.

System Settings (Ustawienia systemowe) – ustawienia systemowe:

- **Update (Aktualizuj)** – aktualizacja oprogramowania Firmware (FW). Szczegóły dotyczące tej procedury można znaleźć w dalszej części niniejszej instrukcji.
- **Default settings (Ustawienia fabryczne)** – przywrócenie ustawień domyślnych odtwarzacza.

Desktop (Tapety) – wybór obrazu tła (tapety).

Language (Język) – zmiana języka interfejsu odtwarzacza.

System Information (Informacje) – wyświetla informacje dotyczące odtwarzacza (**Chip ID – Chipset**), wersji firmware (**Soft version ID – Wersja oprogramowania**) oraz stanu pamięci (**Local Memory Size – Rozmiar pamięci odtwarzacza** i **Card Memory Size – Rozmiar pamięci karty**).

Time Setting (Ustawienia czasu) – konfiguracja czasu i daty systemowej odtwarzacza. Na ekranie czasu naciśnij przycisk **VOL**, aby przełączyć się między polami godziny (**Hour – Godzina**) i minuty (**Minute – Minuta**) i używając przycisków **◀ / ▶** ustaw poprawne wartości. Po ustawieniu czasu naciśnij przycisk **M**, aby zapisać zmianę czasu i przejść do ekranu daty. Na ekranie daty naciśnij przycisk **VOL**, aby przełączyć się między polami roku (**Year – Rok**), miesiąca (**Month – Miesiąc**) i dnia (**Day – Dzień**) i używając przycisków **◀ / ▶** ustaw poprawne wartości. Po ustawieniu daty naciśnij przycisk **M**, aby zapisać zmianę daty i wrócić do menu **Settings (Ustawienia)**.

Auto turn-off Time (Auto-wyłączenie) – konfiguracja czasu bezczynności, po którym odtwarzacz zostanie samoczynnie wyłączony.

Aktualizacja Firmware

UWAGA:

- Aktualizacja firmware ma na celu zwiększenie wydajności i funkcjonalności odtwarzacza. W większości przypadków aktualizacja firmware nie jest konieczna do poprawnego działania odtwarzacza. Źle przeprowadzona aktualizacja firmware może spowodować niepoprawne działanie odtwarzacza. Oprogramowanie przeznaczone dla tego odtwarzacza nie jest zgodne z innymi odtwarzaczami.
- Przed aktualizacją firmware zaleca się zrobienie kopii zapasowej plików znajdujących się w pamięci odtwarzacza. W niektórych przypadkach aktualizacja firmware może spowodować usunięcie wszystkich plików z pamięci odtwarzacza. PENTAGRAM Europe nie odpowiada za utracone dane.
- Upewnij się, że używasz oryginalnego firmware PENTAGRAM przeznaczonego dla Eon Cineo. Najnowszy firmware dostępny jest na stronie www.pentagram.pl
- Nie odłączaj odtwarzacza od komputera w czasie aktualizacji firmware. Może to spowodować uszkodzenie odtwarzacza.
- Upewnij się, że bateria odtwarzacza jest naładowana zanim zaczniesz proces aktualizacji.

Wykonaj poniższe kroki, aby zaktualizować firmware:

1. Podłącz odtwarzacz do komputera.
2. Przejdź na dysk odtwarzacza.
3. Skopiuj ściągnięty plik z firmware (*.RKW) do głównego katalogu odtwarzacza.
4. Odłącz odtwarzacz od komputera.
5. Wejdź w menu **Settings (Ustawienia) > System Settings (Ustawienia systemowe) > Update (Aktualizuj)** i odpowiedz **YES (Tak)** na pytanie dotyczące aktualizacji oprogramowania firmware.
6. Oprogramowanie firmware zostanie zaktualizowane a odtwarzacz zostanie zrestartowany.

Rozwiązywanie problemów

W przypadku wystąpienia problemów z odtwarzaczem, skorzystaj z poniższych podpowiedzi. Aktualna lista problemów wraz z rozwiązaniami znajduje się na stronie www.pentagram.pl. Jeśli nie uda się rozwiązać problemu skontaktuj się z Pomocą Techniczną.

Objawy	Przyczyna	Sposób naprawy
Problemy z włączeniem Odtwarzacz się wyłącza	Bateria rozładowana	Naładuj baterię
Brak dźwięku	Głośność ustawiona na poziomie 0	Zwiększ poziom głośności
	Źle podłączone słuchawki	Podłącz poprawnie słuchawki
Przyciski nie działają	Zawieszenie odtwarzacza	Przesuń przełącznik ON/OFF w pozycję PLAY na ok. 8 sekund aby awaryjnie wyłączyć odtwarzacz
	Włączona blokada przycisków	Wyłącz blokadę
Problemy z podłączeniem do komputera	Źle podłączony kabel USB	Podłącz poprawnie kabel USB
Problemy z przegrywaniem plików	Komputer nie spełnia wymagań systemowych	Dokonaj aktualizacji systemu
Problemy z nagrywaniem	Bateria rozładowana	Naładuj baterię
	Brak miejsca na dysku	Wykasuj część plików
Problemy z odtwarzaniem pliku wideo	Nieobsługiwany format pliku	Przekonwertuj plik do obsługiwanego formatu

Specyfikacja

Funkcja	Opis	
Układ	Rockchip 2706	
Wymiary	86 × 49 × 10,5 mm (szer. x wys. x głęb.)	
Waga	ok. 54g	
Wyświetlacz	TFT LCD 3" o rozdzielczości 400x240 (WQVGA)	
Zasilanie	wbudowana bateria Li-Poly (litowo polimerowa) o pojemności 750mAh	
Czas działania	Muzyka: ~10h (oszczędzanie energii)	Filmy: ~4h (oszczędzanie energii)
Radio FM / UKF	zakresy częstotliwości: Chiny, Europa, U.S.A Japonia	87MHz – 108MHz 76MHz – 90MHz
	Pamięć stacji	30
Obsługiwane pliki	Music (Muzyka)	MP3, WMA, APE, FLAC, AAC, WAV
	Video	AVI, RM, RMVB, FLV
	eBook	TXT
	Photo (Zdjęcia)	JPG, BMP, GIF
Wzbogacanie dźwięku	MS PlayFX™, equalizer (6 trybów + 1 użytkownika)	
Moc wyjściowa	12mW na kanał	
SNR	95dB	
Pasma przenoszenia	20Hz ~ 20kHz	
Zniekształcenia	<0,1%	
Temperatura pracy	5°C~40°C	
Transfer danych	komputer klasy IBM PC lub notebook z portem USB	
System operacyjny	Windows 2000 / XP / Vista, Linux 2.4.4 lub nowszy.	

* specyfikacja może zostać zmieniona bez uprzedniego powiadomienia



DEKLARACJA ZGODNOŚCI

Importer: **PENTAGRAM Europe sp. z o.o.**
Adres: ul. Szyszkowa 35/37, 02-285 Warszawa

jako upoważniony przedstawiciel producenta deklaruje, że poniższy produkt:

Nazwa produktu: **Odtwarzacz multimedialny**
Model: **PENTAGRAM Eon Cineo**
wraz z zasilaczem: **K11F**
oraz zasilaczem samochodowym: **K-6112**

został wyprodukowany przy zastosowaniu następujących norm zharmonizowanych:

EN55022: 2006
EN55024: 1998 + A1:2001 + A2:2003
EN55022: 1998 + A1: 2000 + A2: 2003
EN55024: 1998 + A1: 2001 + A2: 2003
EN61000-3-2: 2000
EN61000-3-3: 1995 + A1: 2001
EN60950: 2001

Niniejszy produkt spełnia zasadnicze wymagania zawarte w:

- rozporządzeniu Ministra Gospodarki z dnia 21 sierpnia 2007 r. w sprawie zasadniczych wymagań dla sprzętu elektrycznego (Dz. U. Nr 155 poz. 1089), dokonującym transpozycji europejskiej dyrektywy nr 2006/95/WE, odnoszącej się do sprzętu elektrycznego przewidzianego do stosowania w pewnych granicach napięcia;

- ustawie z dnia 13 kwietnia 2007 r. o kompatybilności elektromagnetycznej (Dz.U. Nr 82 poz. 556), wdrażającej postanowienia europejskiej dyrektywy nr 2004/108/WE, odnoszącej się do kompatybilności elektromagnetycznej;

i w następstwie nosi oznakowanie CE.

Zgodność z zasadniczymi wymaganiami została potwierdzona certyfikatem nr. SZESC0803081345 wystawionym przez Standard Compliance Services Shenzen oraz nr. PD052312LC wystawionym przez Shenzen Peidar Technology.

Miejsce i data:

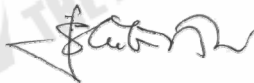
Imię i nazwisko osoby upoważnionej:

Stanowisko:

Warszawa, 1.04.2008

Jakub Skibiński

Product Manager



A handwritten signature in black ink, appearing to read 'Jakub Skibiński', is written over a large, faint watermark logo in the background. The logo consists of a stylized star or geometric shape with the text 'DENTAL' and 'THE PERFECT SOLUTION' overlaid on it.